

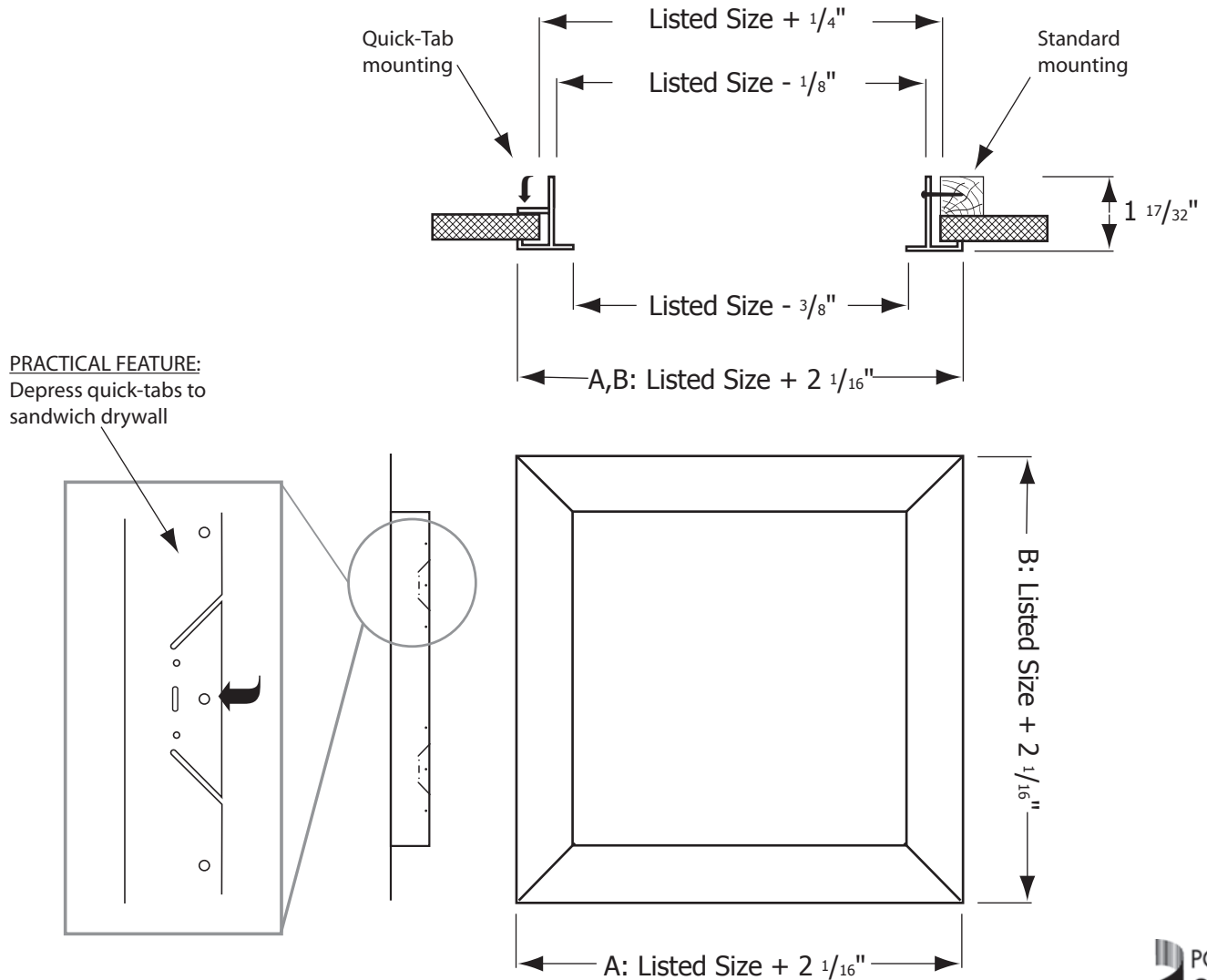
SUBMITTAL SHEET



N° PF

Plaster And Drywall Frame

Material: All aluminium construction.



| ✓ | Model # | Face Dim. A x B |
|---|---------|---------------------|
| | PF 1212 | 14 1/16" x 14 1/16" |
| | PF 1224 | 14 1/16" x 26 1/16" |
| | PF 2424 | 26 1/16" x 26 1/16" |

| Finish | |
|--------------------------------|--|
| White <input type="checkbox"/> | Custom (please specify) <input type="checkbox"/> |

Job: _____

Architect: _____

Engineer: _____

Contractor: _____