

**Submittal Drawing  
ACCESS DOORS**

**STANDARD CONSTRUCTION**

Galvanized Steel, 304 Stainless Steel or Aluminum.  
The door is two die-formed and seamless panels in a sandwich construction.  
The frame is die-formed and seamless.

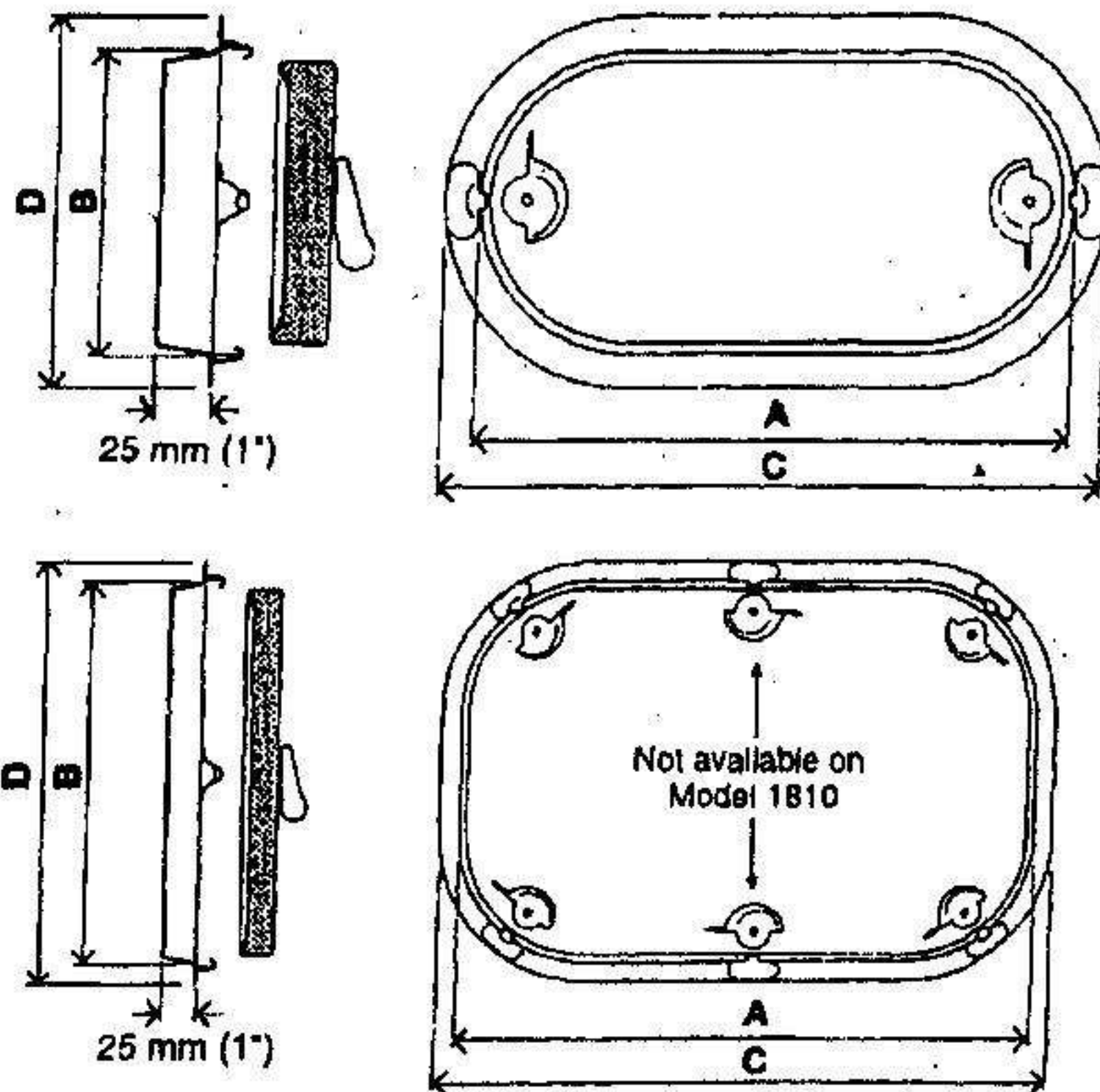
Positive cam lock fastenings.  
One piece extruded gasket for positive seal.  
Thermal, Acoustic and Fire Retardant insulation.  
Pre-punched holes in both flanges of frame.

**Features**

Oval Shape for ease of installation.  
Cut-out template provided.  
Suitable for insulated or uninsulated duct.

Safety Chain (Optional)

Model	No. per Carton	Carton Size
ACC8x5	20	20"x16"x7.75"
ACC12x6	10	16.75"x14.5"x8.75"
ACC18x10	10	20.75"x16.75"x13"
ACC22x14	5	24.75"x16.5"x9.5"
ACC26x18	4	28.75"x20.5"x7.75"



MODEL	0805		1206	
	NOM. SIZE (mm)	8x5 (in)	300x150 (mm)	12x6 (in)
A	200	7 1/4	300	11 1/4
B	125	5	150	6
C	240	9 1/4	350	13 3/4
D	165	6 1/2	200	7 1/2

MODEL	1810		2214		2618	
	NOM. SIZE (mm)	18x10 (in)	550x350 (mm)	22x14 (in)	650x450 (mm)	26x18 (in)
A	460	18 1/4	550	21 1/4	650	25 1/4
B	260	10 1/4	350	13 3/4	450	17 3/4
C	500	19 1/4	590	23 3/4	690	27 3/4
D	300	11 1/4	400	15 1/4	500	19 1/4