



Beam Clamp 300

3000037PL

300 Series Reversible Beam Clamp

Features

- Size range: 3/8", 1/2", 5/8", 3/4", and 7/8" rod sizes
- Structural attachment to top or bottom of metal beams, purlins, channel, or angle iron
- Hardened steel setscrew with cup point for robust grip on tapered sections
- Conforms with Federal Specification WW-H-171 (Type 23) Manufacturers Standardization Society ANSI/MSS-SP-58 (Type 19 & 23), install in accordance with ANSI/MSS-SP-69
- Compatible with retainer straps 300C and 035RS



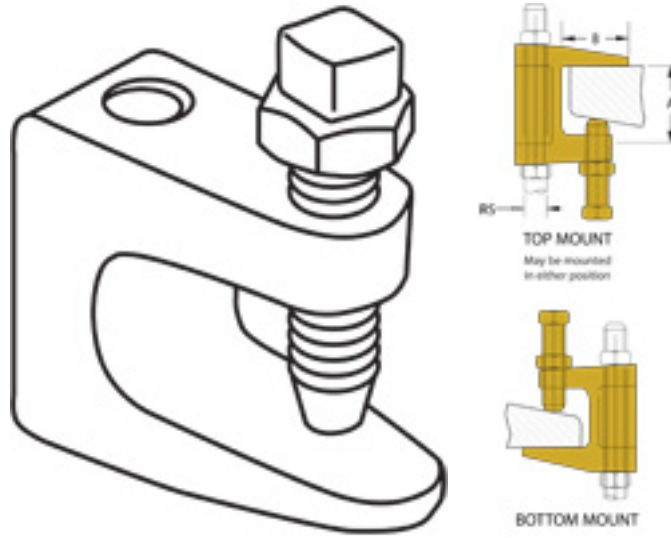
Notes

- Setscrew must be tightened and torqued onto the sloped side of I-beams
- Recognizing that torque wrenches are generally not used or available on many job sites, the setscrew should be tightened so it contacts the I-beam and then an additional 1/4 to 1/2 turn added

Product Specifications

A	3/4 in
B	1 1/8 in
Bottom Mount Load	250 lbs
Fastener Height	1 9/16 in
Fastener Width	13/16 in
Finish	Plain
Flange Thickness (in)	3/4 in
Rod Size	3/8"

Set Screw	3/8
Standard Packaging Quantity	100
Third Party Certifications	cULus® FM
Top Mount Load	500 lbs



Application Photos

